

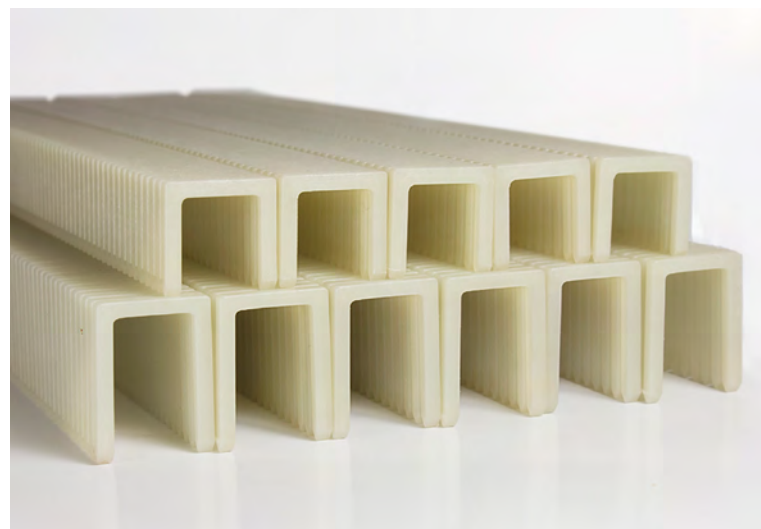
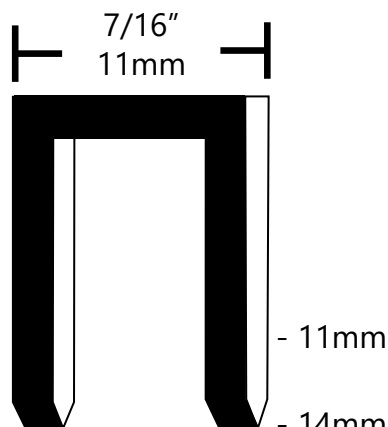


**RAPTOR**

# Fastener Type

## RAPTOR® SH/04

### 16 Gauge Composite Staple



Packaging: 5040 staples per box • 20 boxes per case

#### BENEFITS

- ✓ **Sawable, Sandable & Planeable**
- ✓ **Never Rusts or Corrodes**
- ✓ **Bonds Like Glue**
- ✓ **Completely Non-Metal**

#### APPLICATIONS

- Lumber wrap
- Lumber tagging
- Boatbuilding
- Fiberglass lay up
- Composites manufacturing
- Radiant barrier installation
- Wire installation
- House wrap
- Casket lining
- Casegoods tagging

#### TOOLS

- Pneumatic:
- OMER 83P Series
- RC-SH/04 Cap Stapler
- Manual:
- RAPTOR® G-3PS
- Hammer Tacker (<9/16")
- RAPTOR® CT-H7000P
- Compression Tacker (<9/16")

#### Material Grades:

**Standard Material:** Provides the best drivability. It is not recommended for high speed steel moulder knives but it is fine for carbide blades. In one particular customer test, Titan V24RW, BB knives were used with our standard RAPTOR® product fastened in a line and the knives showed no signs of damage.

LF Material: Safe for most moulder blades but drivability is somewhat compromised.

NF Material: Safe for all delicate blades but drivability is somewhat compromised.

**Colors:** RAPTOR® fasteners are available in colors such as White, Brown, Redwood, Cedar, Blue, Red and Gray. Please contact us for minimum order requirements and lead times.

